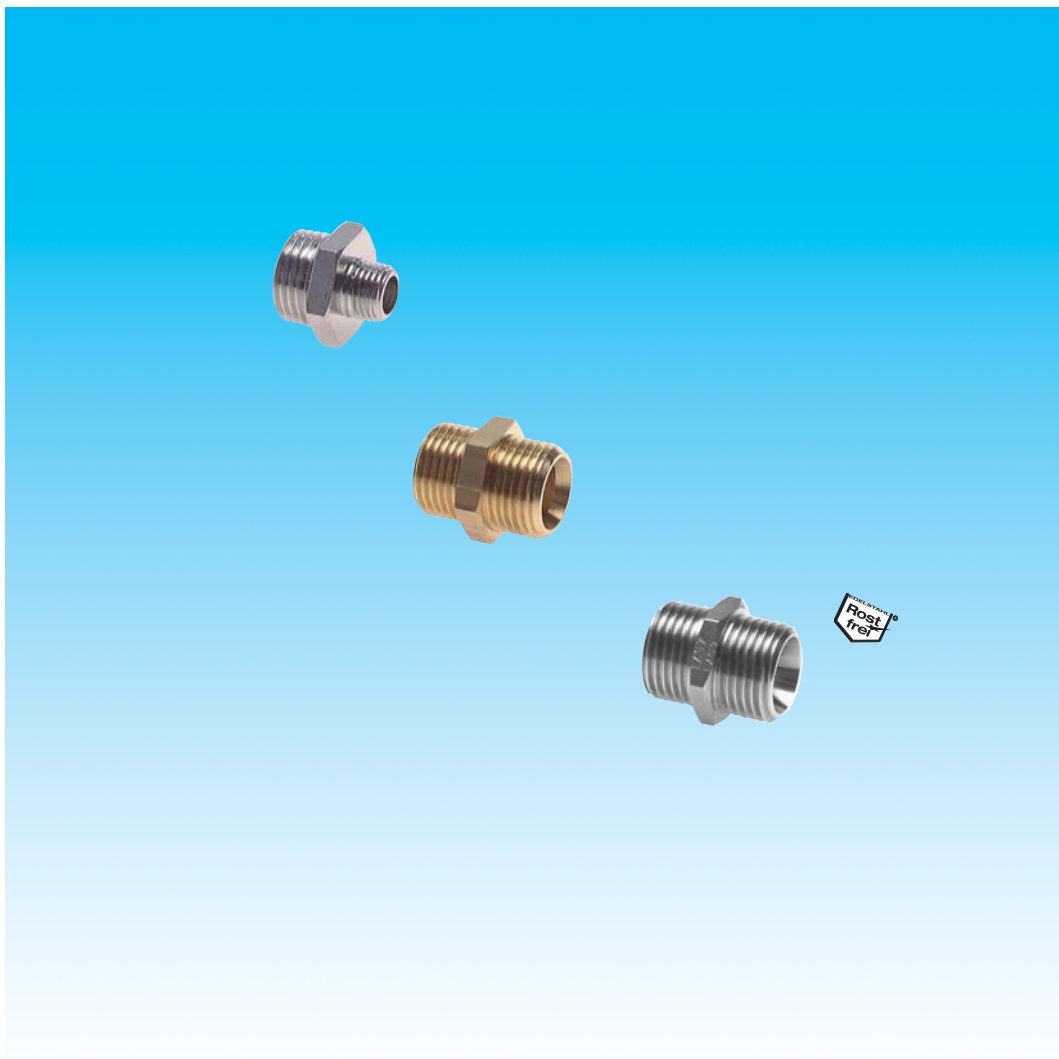


Dokumentation


***Doppelnippel mit zylindrischem Gewinde,
PN 16/40
- Typ DN ... MSV, DN ... MS, DN ... ES -***



1. Inhalt

2. Artikelnummern und technische Daten	1
3. Abmessungen	1

2. Artikelnummern und technische Daten

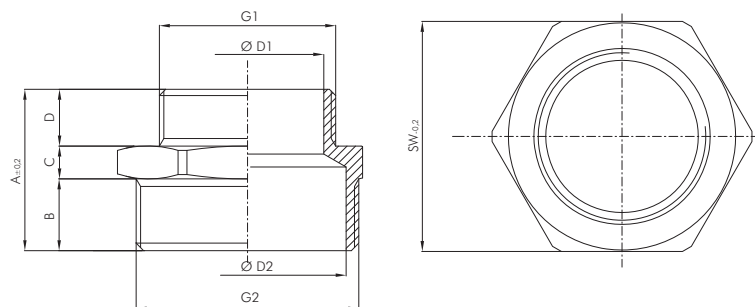
Doppelnippel mit zylindrischem Gewinde						PN 16/40	
Typ 16 bar MS vernickelt*	SW	Typ 16 bar Messing/Rotguss	SW	Typ 40 bar 1.4571 	SW	Gewinde	Gewinde
---	---	DN 33 MS*	5	DN 33 ES*	8	G 1	G 2
---	---	DN 53 MS*	8	DN 53 ES*	8	M 3	M 3
DN 55 MSV	8	DN 55 MS	7	DN 55 ES	8	M 5	M 5
DN 185 MSV	14	DN 185 MS	14	DN 185 ES	14	G 1/8"	M 5
DN 1818 MSV	14	DN 1818 MS	14	DN 1818 ES	14	G 1/8"	G 1/8"
---	---	DN 145 MS	17	DN 145 ES	17	G 1/4"	M 5
DN 1418 MSV	17	DN 1418 MS	17	DN 1418 ES	17	G 1/4"	G 1/8"
DN 1414 MSV	17	DN 1414 MS	17	DN 1414 ES	17	G 1/4"	G 1/4"
DN 3818 MSV	19	DN 3818 MS	19	DN 3818 ES	19	G 3/8"	G 1/8"
DN 3814 MSV	19	DN 3814 MS	19	DN 3814 ES	19	G 3/8"	G 1/4"
DN 3838 MSV	19	DN 3838 MS	19	DN 3838 ES	19	G 3/8"	G 3/8"
DN 1214 MSV	24	DN 1214 MS	24	DN 1214 ES	24	G 1/2"	G 1/4"
DN 1238 MSV	24	DN 1238 MS	24	DN 1238 ES	24	G 1/2"	G 3/8"
DN 1212 MSV	24	DN 1212 MS	24	DN 1212 ES	24	G 1/2"	G 1/2"
DN 3438 MSV	32	DN 3438 MS	32	DN 3438 ES	32	G 3/4"	G 3/8"
DN 3412 MSV	30	DN 3412 MS	32	DN 3412 ES	32	G 3/4"	G 1/2"
DN 3434 MSV	30	DN 3434 MS	32	DN 3434 ES	32	G 3/4"	G 3/4"
DN 1012 MSV	34	DN 1012 MS	36	DN 1012 ES	36	G 1"	G 1/2"
DN 1034 MSV	36	DN 1034 MS	36	DN 1034 ES	36	G 1"	G 3/4"
DN 1010 MSV	36	DN 1010 MS	34	DN 1010 ES	36	G 1"	G 1"
DN 11412 MSV	43	DN 11412 MS*	43	---	---	G 1 1/4"	G 1/2"
DN 11434 MSV	42	DN 11434 MS*	42	---	---	G 1 1/4"	G 3/4"
DN 11410 MSV	42	DN 11410 MS*	42	DN 11410 ES	50	G 1 1/4"	G 1"
DN 114114 MSV	42	DN 114114 MS*	42	DN 114114 ES	50	G 1 1/4"	G 1 1/4"
DN 11234 MSV	50	DN 11234 MS*	50	---	---	G 1 1/2"	G 3/4"
DN 11210 MSV	50	DN 11210 MS*	50	---	---	G 1 1/2"	G 1"
DN 112114 MSV	50	DN 112114 MS*	50	DN 112114 ES	55	G 1 1/2"	G 1 1/4"
DN 112112 MSV	50	DN 112112 MS*	50	DN 112112 ES	55	G 1 1/2"	G 1 1/2"
DN 2010 MSV	60	DN 2010 MS*	60	---	---	G 2"	G 1"
DN 20114 MSV	60	DN 20114 MS*	60	---	---	G 2"	G 1 1/4"
DN 20112 MSV	60	DN 20112 MS*	60	---	---	G 2"	G 1 1/2"
DN 2020 MSV	60	DN 2020 MS*	60	DN 2020 ES	65	G 2"	G 2"
DN 21220 MSV	77	DN 21220 MS*	77	---	---	G 2 1/2"	G 2"
DN 212212 MSV	77	DN 212212 MS*	77	DN 212212 ES**	77	G 2 1/2"	G 2 1/2"
DN 3020 MSV	89	DN 3020 MS*	89	---	---	G 3"	G 2"
DN 30212 MSV	89	DN 30212 MS*	89	---	---	G 3"	G 2 1/2"
DN 3030 MSV	89	DN 3030 MS*	89	DN 3030 ES**	91	G 3"	G 3"
---	---	DN 4040 MS*	117	DN 4040 ES**	117	G 4"	G 4"

* wird ohne Innenkonus geliefert, ** Material: 1.4408 (16 bar)



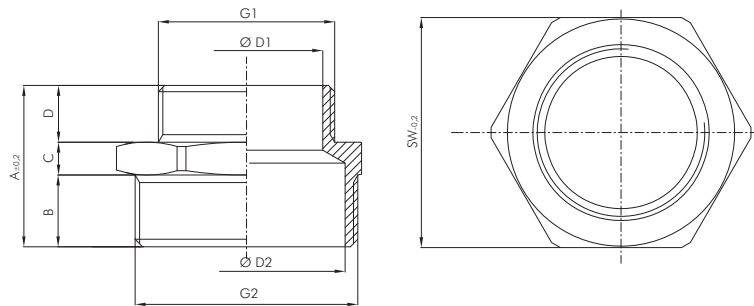
2. Abmessungen

2.1 DN ... MSV



Typ	G1	G2	Ø D1	Ø D2	A	B	C	D	SW
DN 11410 MSV	G 1"	G 1 1/4"	26	34	38	16	7	15	42

2.2 DN ... MS



Typ	G1	G2	Ø D1	Ø D2	A	B	C	D	SW
DN 112112 MS	G 1 1/2"	G 1 1/2"	40	40	39,5	16	7,5	16	50
DN 2010 MS	G 1"	G 2"	26	51	42,0	18	9,0	15	60
DN 21220 MS	G 2"	G 2 1/2"	51	66	54,0	24	11,0	19	77