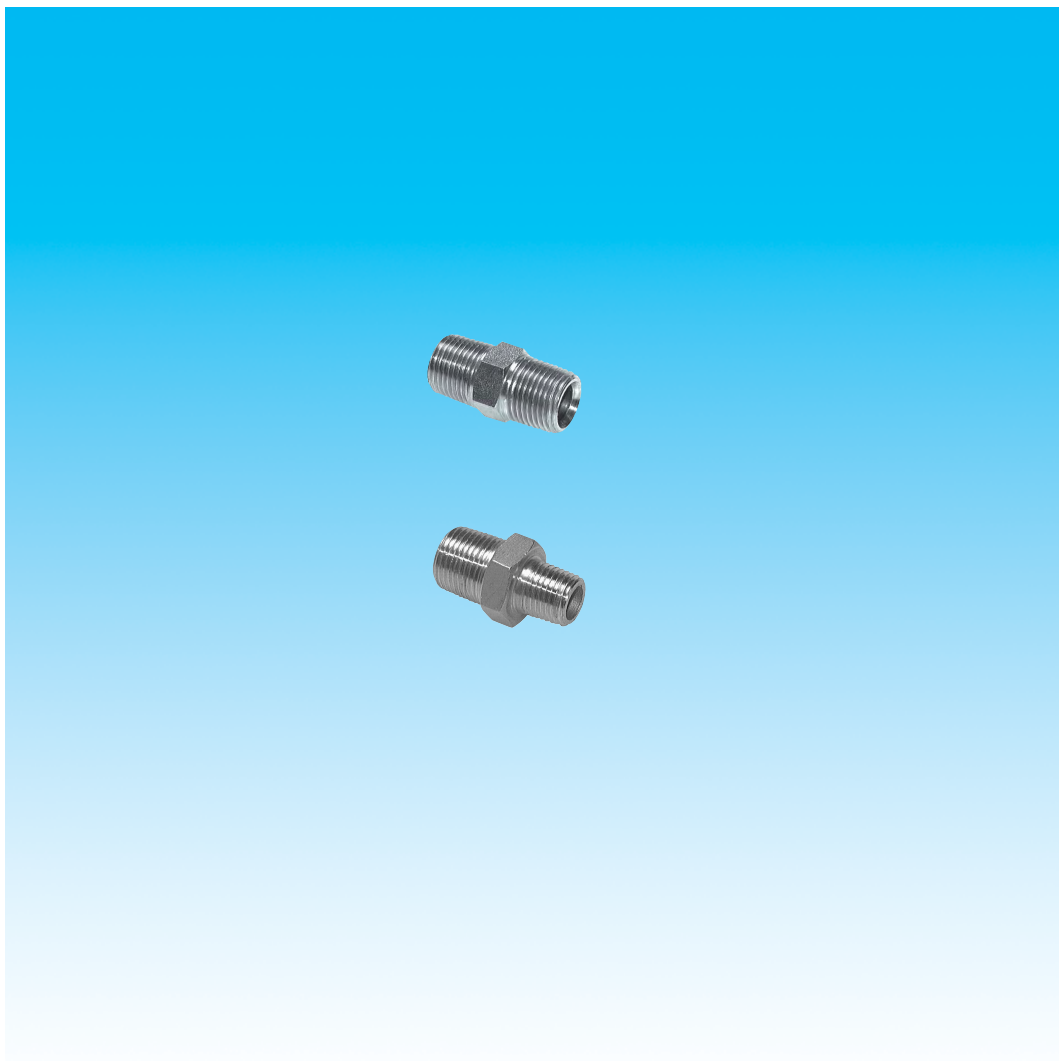


# Dokumentation


## ***Doppelnippel mit NPT-Gewinde, bis PN 345 - Typ DN ... NPT, DN ... NPT ES -***



## 1. Inhalt

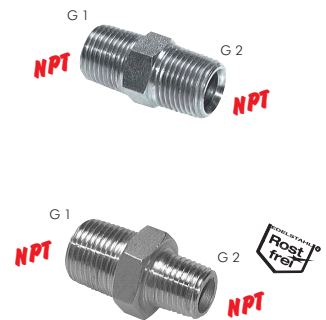
2. Artikelnummern und technische Daten	1
3. Abmessungen	1

## 2. Artikelnummern und technische Daten

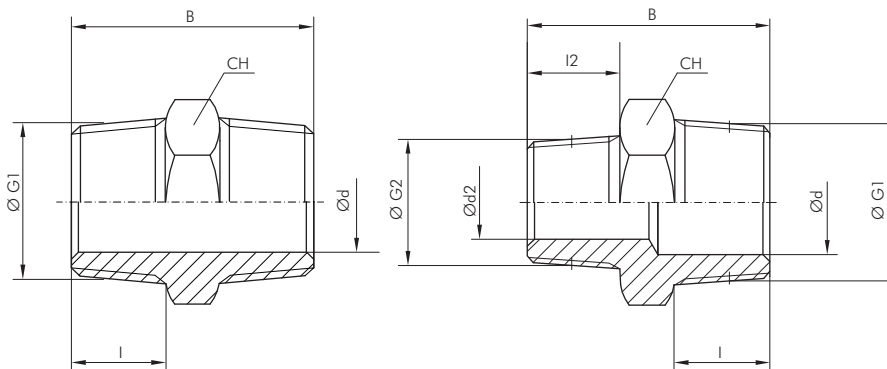
Doppelnippel mit <b>NPT-Gewinde</b>		bis PN 345				
Typ	Typ	Gewinde	Gewinde	SW	Länge**	PN*
Stahl verzinkt	1.4571 	G 1	G 2			
DN 1818 NPT	DN 1818 NPT ES	NPT 1/8"	NPT 1/8"	12	27,0	345 bar
DN 1418 NPT	DN 1418 NPT ES	NPT 1/4"	NPT 1/8"	14	30,5	275 bar
DN 1414 NPT	DN 1414 NPT ES	NPT 1/4"	NPT 1/4"	14	36,5	275 bar
DN 3818 NPT	DN 3818 NPT ES	NPT 3/8"	NPT 1/8"	17	30,5	210 bar
DN 3814 NPT	DN 3814 NPT ES	NPT 3/8"	NPT 1/4"	19	36,5	210 bar
DN 3838 NPT	DN 3838 NPT ES	NPT 3/8"	NPT 3/8"	19	36,5	210 bar
DN 1214 NPT	DN 1214 NPT ES	NPT 1/2"	NPT 1/4"	22	40,5	210 bar
DN 1238 NPT	DN 1238 NPT ES	NPT 1/2"	NPT 3/8"	22	43,7	210 bar
DN 1212 NPT	DN 1212 NPT ES	NPT 1/2"	NPT 1/2"	22	48,4	210 bar
DN 3412 NPT	DN 3412 NPT ES	NPT 3/4"	NPT 1/2"	27	50,0	170 bar
DN 3434 NPT	DN 3434 NPT ES	NPT 3/4"	NPT 3/4"	27	50,0	170 bar
DN 1034 NPT	DN 1034 NPT ES	NPT 1"	NPT 3/4"	36	54,0	140 bar
DN 1010 NPT	DN 1010 NPT ES	NPT 1"	NPT 1"	36	59,0	140 bar
DN 114114 NPT	DN 114114 NPT ES	NPT 1 1/4"	NPT 1 1/4"	46	63,0	80 bar

\* in Versuchen mit Hydrauliköl ermittelte Richtwerte mit 4-facher Sicherheit, im Einzelfall bitte anfragen,

\*\* Angaben gelten für Typ Edelstahl. Für alle anderen Typen bitte anfragen.



## 3. Abmessungen



Typ	Gewinde	Gewinde	Ø d	Ø d2	B	l	l2	CH
	G1	G2						
DNT 1818 NPT	NPT 1/8"	NPT 1/8"	4,5	---	26,9	9,7	---	11,0
DNT 1418 NPT	NPT 1/4"	NPT 1/8"	7,0	4,5	32,3	14,2	9,7	16,0
DN 1414 NPT	NPT 1/4"	NPT 1/4"	7,0	---	36,8	14,2	---	16,0
DN 3818 NPT	NPT 3/8"	NPT 1/8"	10,0	4,5	32,2	14,2	9,7	19,0
DN 3814 NPT	NPT 3/8"	NPT 1/4"	10,0	7,0	36,8	14,2	14,2	19,0
DN 3838 NPT	NPT 3/8"	NPT 3/8"	10,0	---	36,8	14,2	---	19,0
DN 1214 NPT	NPT 1/2"	NPT 1/4"	13,5	7,0	43,2	19,0	14,2	22,0
DN 1238 NPT	NPT 1/2"	NPT 3/8"	13,5	10	43,2	19,0	14,2	22,0
DN 1212 NPT	NPT 1/2"	NPT 1/2"	13,5	---	48,0	19,0	---	22,0
DN 3412 NPT	NPT 3/4"	NPT 1/2"	18,0	13,5	49,8	19,0	19,0	30,0
DN 3434 NPT	NPT 3/4"	NPT 3/4"	18,0	---	49,8	19,0	---	30,0
DN 1034 NPT	NPT 1"	NPT 3/4"	23,0	18,0	54,5	23,9	19,0	36,0
DN 1010 NPT	NPT 1"	NPT 1"	23,0	---	59,5	23,9	---	36,0
DNT 114114 NPT	NPT 1 1/4"	NPT 1 1/4"	31,0	---	63,0	24,6	---	46,0