

Dokumentation

TE-Steckverschraubungen mit zylindrischem Gewinde, Standard - Typ IQST ... G -



1. Inhalt

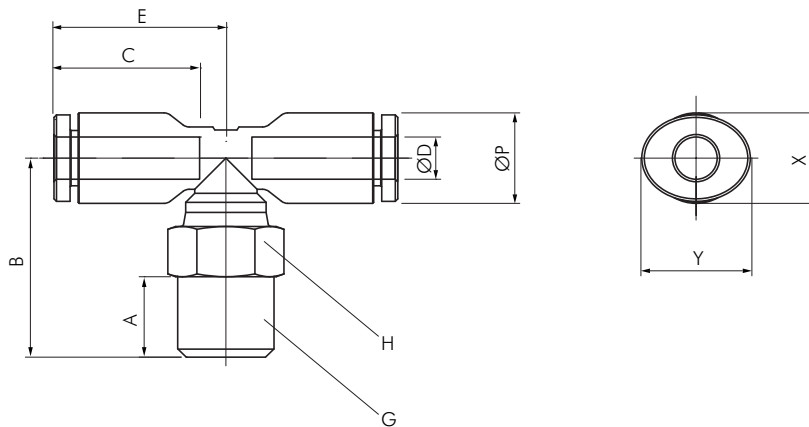
| | |
|--|---|
| 2. Artikelnummern und technische Daten | 1 |
| 3. Abmessungen | 1 |

2. Artikelnummern und technische Daten

| TE-Steckverschraubungen mit zylindrischem Gewinde | | | Standard | | | | | |
|--|--------|----|-------------|--------|----|-------------|--------|----|
| Typ | G | D | Typ | G | D | Typ | G | D |
| IQST M54 | M 5 | 4 | IQST 148 G | G 1/4" | 8 | IQST 3816 G | G 3/8" | 16 |
| IQST M56 | M 5 | 6 | IQST 1410 G | G 1/4" | 10 | IQST 128 G | G 1/2" | 8 |
| IQST 184 G | G 1/8" | 4 | IQST 1412 G | G 1/4" | 12 | IQST 1210 G | G 1/2" | 10 |
| IQST 186 G | G 1/8" | 6 | IQST 386 G | G 3/8" | 6 | IQST 1212 G | G 1/2" | 12 |
| IQST 188 G | G 1/8" | 8 | IQST 388 G | G 3/8" | 8 | IQST 1214 G | G 1/2" | 14 |
| IQST 1810 G | G 1/8" | 10 | IQST 3810 G | G 3/8" | 10 | IQST 1216 G | G 1/2" | 16 |
| IQST 144 G | G 1/4" | 4 | IQST 3812 G | G 3/8" | 12 | | | |
| IQST 146 G | G 1/4" | 6 | IQST 3814 G | G 3/8" | 14 | | | |



2. Abmessungen



| Typ | Ø D | G | Ø P | A | B | C | E | H | X | Y |
|-------------|-----|--------|------|-----|-------|------|------|----|------|------|
| IQST M54 | 4 | M 5 | 9,0 | 4,0 | 16,6 | 14,5 | 17,1 | 9 | 8,6 | 10,8 |
| IQST M56 | 6 | M 5 | 11,2 | 4,0 | 17,7 | 15,5 | 18,0 | 9 | 11,0 | 13,0 |
| IQST 184 G | 4 | G 1/8" | 9,0 | 5,0 | 16,6 | 14,5 | 17,1 | 13 | 8,6 | 10,8 |
| IQST 186 G | 6 | G 1/8" | 11,2 | 5,0 | 17,7 | 15,5 | 18,0 | 13 | 11,0 | 13,0 |
| IQST 188 G | 8 | G 1/8" | 13,6 | 5,0 | 22,8 | 17,8 | 23,6 | 13 | 13,0 | 15,0 |
| IQST 1810 G | 10 | G 1/8" | 16,3 | 5,0 | 24,1 | 19,4 | 25,0 | 15 | 16,0 | 18,5 |
| IQST 144 G | 4 | G 1/4" | 9,0 | 6,0 | 17,3 | 14,5 | 17,1 | 16 | 8,6 | 10,8 |
| IQST 146 G | 6 | G 1/4" | 11,2 | 6,0 | 18,4 | 15,5 | 18,0 | 16 | 11,0 | 13,0 |
| IQST 148 G | 8 | G 1/4" | 13,6 | 6,0 | 21,0 | 17,8 | 23,6 | 16 | 13,0 | 15,0 |
| IQST 1410 G | 10 | G 1/4" | 16,3 | 6,0 | 24,8 | 19,4 | 25,0 | 16 | 16,0 | 18,5 |
| IQST 1412 G | 12 | G 1/4" | 19,7 | 6,0 | 26,5 | 22,4 | 32,2 | 16 | 19,5 | 22,5 |
| IQST 386 G | 6 | G 3/8" | 11,2 | 7,0 | 19,9 | 15,5 | 18,0 | 20 | 11,0 | 13,0 |
| IQST 388 G | 8 | G 3/8" | 13,6 | 7,0 | 22,0 | 17,8 | 23,6 | 20 | 13,0 | 15,0 |
| IQST 3810 G | 10 | G 3/8" | 16,3 | 7,0 | 23,3 | 19,4 | 25,0 | 20 | 16,0 | 18,5 |
| IQST 3812 G | 12 | G 3/8" | 19,7 | 7,0 | 25,0 | 22,4 | 32,2 | 20 | 19,5 | 22,5 |
| IQST 3814 G | 14 | G 3/8" | 23,5 | 7,0 | 32,95 | 24,4 | 31,9 | 20 | 23,0 | 25,0 |
| IQST 3816 G | 16 | G 3/8" | 25,6 | 7,0 | 34,0 | 25,0 | 34,0 | 20 | 24,0 | 27,0 |
| IQST 128 G | 8 | G 1/2" | 13,6 | 8,5 | 24,0 | 17,8 | 23,6 | 24 | 13,0 | 15,0 |
| IQST 1210 G | 10 | G 1/2" | 16,3 | 8,5 | 24,8 | 19,4 | 25,0 | 24 | 16,0 | 18,5 |
| IQST 1212 G | 12 | G 1/2" | 19,7 | 8,5 | 26,5 | 22,4 | 32,2 | 24 | 19,5 | 22,5 |
| IQST 1214 G | 14 | G 1/2" | 23,5 | 8,5 | 28,45 | 24,4 | 31,9 | 24 | 23,0 | 25,0 |
| IQST 1216 G | 16 | G 1/2" | 25,6 | 8,5 | 29,5 | 25,0 | 34,0 | 24 | 24,0 | 27,0 |

Alle Angaben verstehen sich als unverbindliche Richtwerte! Für nicht schriftlich bestätigte Datenauswahl übernehmen wir keine Haftung. Druckangaben beziehen sich, soweit nicht anders angegeben, auf Flüssigkeiten der Gruppe II bei +20°C.